

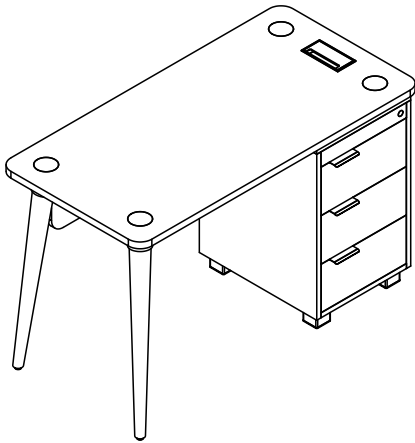


Artistico
Furniture

PRODUCT TECHNICAL SHEET

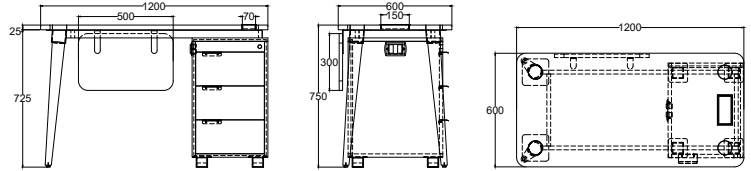
Domino Desk With Drawer

Standard's general scheme



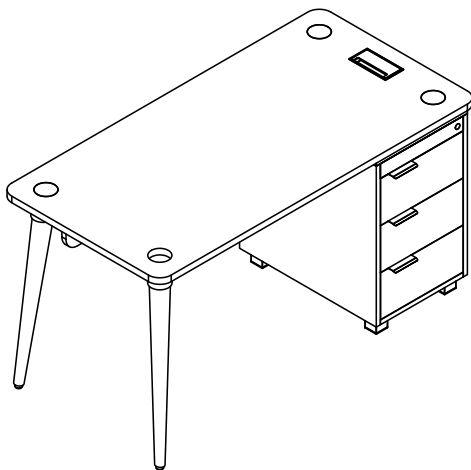
DDDR10101

(1)



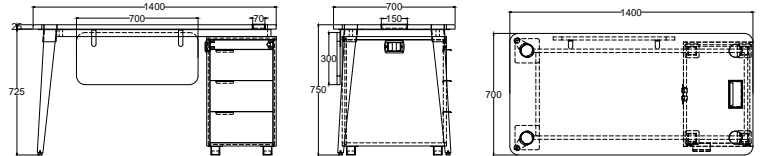
Desk with Drawer (1)

Overall dimensions		Measurements	
(mm)			
Height	H		750
Width	L		1200
Depth	P		600



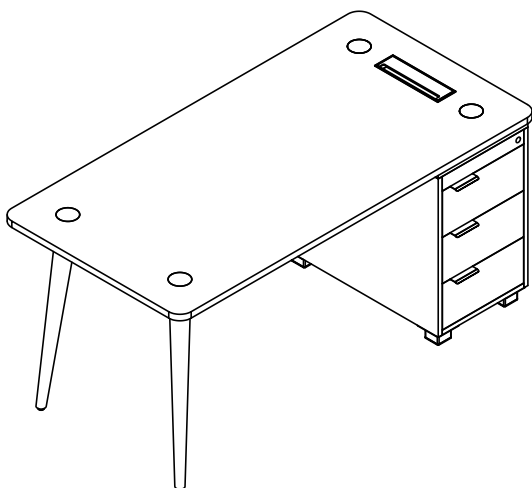
DDDR10102

(2)



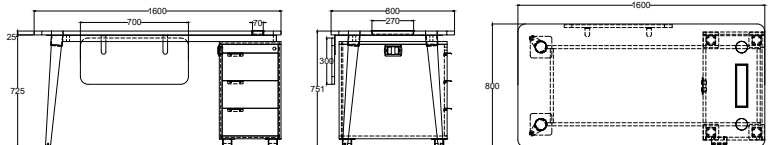
Desk with Drawer (2)

Overall dimensions		Measurements	
(mm)			
Height	H		750
Width	L		1400
Depth	P		700



DDDR10103

(3)



Desk with Drawer (3)

Overall dimensions		Measurements	
(mm)			
Height	H		750
Width	L		1600
Depth	P		800



Artistico
Furniture

PRODUCT TECHNICAL SHEET

Domino Desk With Drawer

DESCRIPTION

Desk

Top : 25 mm thickness MFC .

Cut : By CNC

Surface : Melamine board which is anti scratch, bacteria, water and heat resistance.

Edges : PVC 2 mm thickness.

Legs :

- Beech solid wood.
- Provided with reglash to adjust desk balance.

Chassis: Steel coated with Electrostatic paint.

Accessories :

- Rectangular Brush Grommet.
- Provided with Modesty Panel.

Drawer

Cut : By CNC

Body : 18 mm thickness MDF .

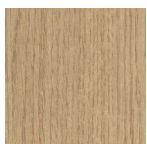
Drawers:

Central lock ,Soft-Close Hinges.

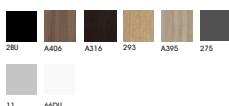
Accessories :

polyamid handle Each drawer can load up to 20 Kg.

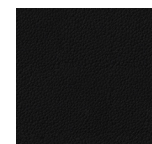
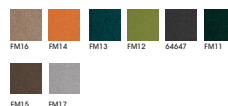
3 Drawers



wood



LINEN



LEATHER

